

# **M-1 CARBINE**

## **Operation and**

## **Instructions**

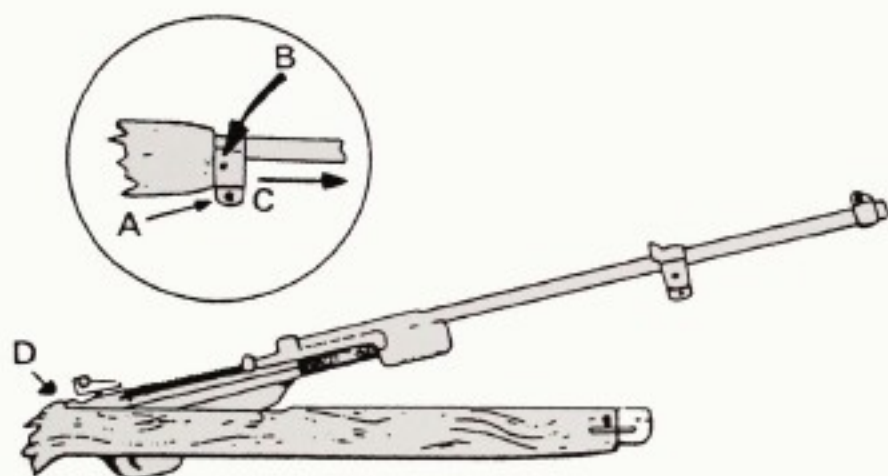


**IVER**   
**JOHNSON**

2202 Redmond Road  
Jacksonville, AR 72076  
(501) 982-9491

## Disassembly "Field Stripping"

After insuring that the carbine is empty, loosen band screw - A. Depress spring locking, front band - B. Slide band, barrel - C - forward until it clears upper and lower stock halves. Lift barrel/receiver assembly up by muzzle until action can be removed from under the recoil plate - D.



Draw operating spring guide slightly to rear until it is disengaged from operating slide, and then pull to right and forward and withdraw guide and spring from well in receiver.

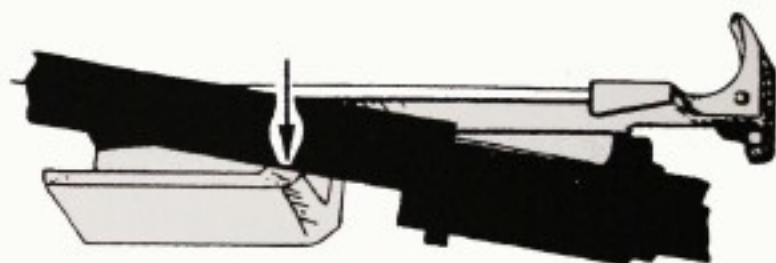


Remove trigger housing pin (if pin sticks, use operating spring guide as a punch). Slide trigger housing group rearward off receiver.



Pull operating slide slowly to rear until forward face of operating slide stop is in line with rear face of bolt opening in top of receiver. This places guide lug on operating slide handle in line with notch in guideway.

Pull slide handle up and to right until guide lug is free of retaining groove. Move operating slide slightly forward to align left guide lug on heavy forward part of operating slide opposite relief cut (arrow) in retaining guideway on barrel. Then rotate operating slide counter-clockwise to free guide lugs from retaining guideway, and remove slide.



Grasp operating lug of bolt and draw bolt to rear until its face is just back of receiver locking lugs. Rotate bolt counterclockwise to disengage it from left guideway in receiver. Then rotate bolt clockwise, and lift it up and right to remove from receiver. This is the last step in field stripping. Reassemble in reverse order.

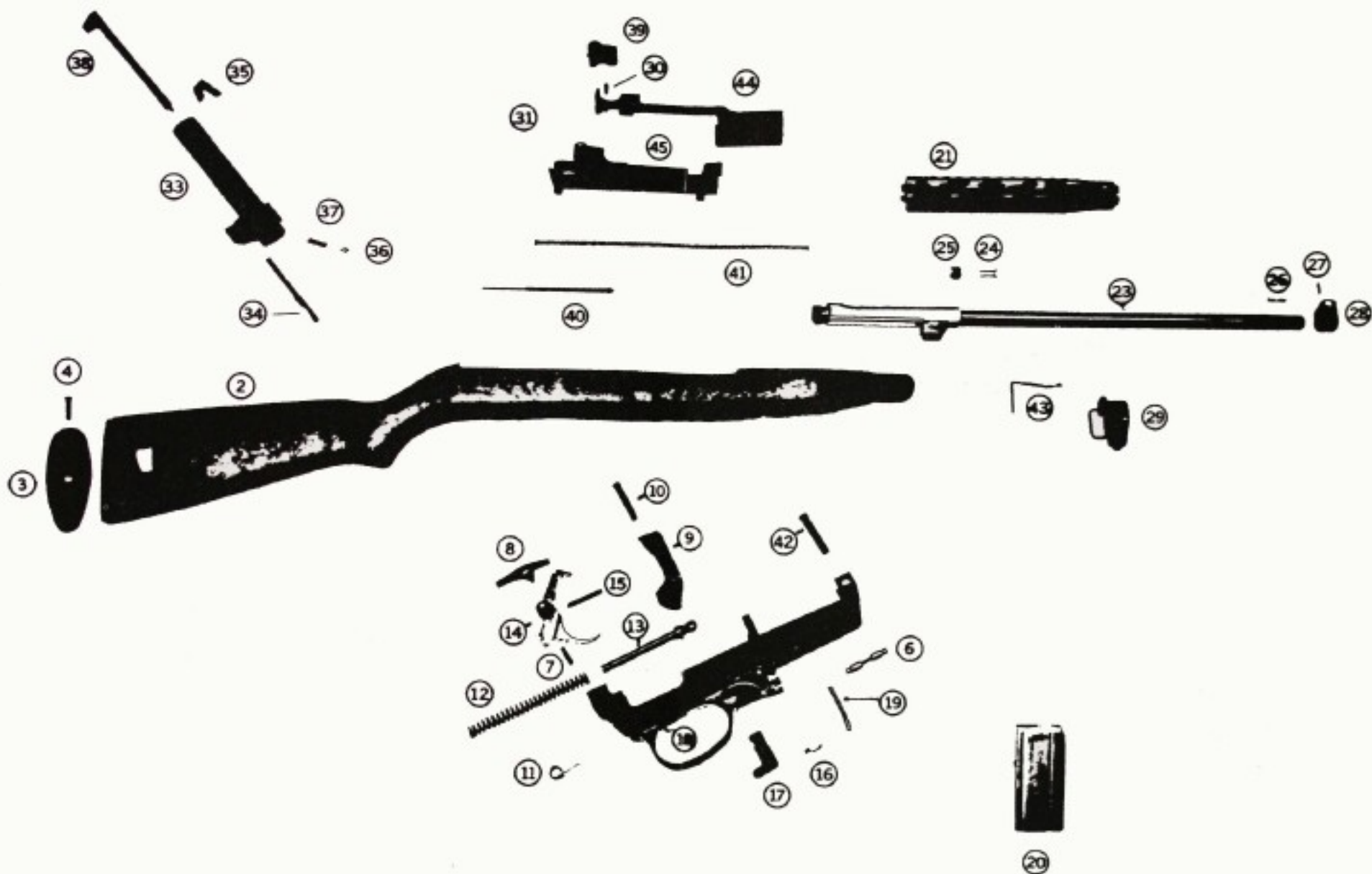


## **Cleaning**

Cleaning can be accomplished when the carbine is either assembled or disassembled. When assembled, lock the bolt in the rearward position by depressing the slide stop. INSURE THE CHAMBER IS EMPTY then remove the magazine. Clean from the muzzle end with a solvent saturated bore brush on a brass or aluminum cleaning rod. Swab with a dry patch until all traces of solvent, powder fouling or residue are removed. A light coating of oil to the moving parts will prevent rust and aid in operation.

## **Safety**

THE CARBINE IS ON SAFE WHEN THE SAFETY LEVER IS POINTED IN THE DOWNWARD POSITION. TO PLACE THE CARBINE ON FIRE, MOVE THE SAFETY LEVER REARWARD AND POINTED TOWARD THE SHOOTER.



**CAUTION:**

This is a gas operated weapon, and is manufactured to rigid specifications. To insure proper functioning, the weapon should be used with ammunition made to proper specifications. This will insure satisfactory feed, functioning and safe operation. Malfunctions are usually attributed to (1) improper ammunition (2) damaged magazine (3) magazine not inserted properly. Front sight is adjusted by flat filing center post to bring group up to desired location.

**IVER  
JOHNSON**



<b>ITEM</b>	<b>PART NUMBER</b>	<b>NOMENCLATURE</b>
1	IC240	Stock Assembly, Hdwd (Complete w/Items 2,3,4 and 46, Not Shown)
2	IC246	Stock and Recoil Plate Assy
3	IC075	Butt Plate
4	IC076	Oval Head Screw
5	IC261	Trigger Assy (Steel, Complete, Not Shown)
6	IC299	Mag Catch Plunger Assy
7	IC011	Trigger Pin
8*	IC158	Sear
9*	IC015	Hammer
10	IC017	Hammer Pin
11	IC016	Spring, Trigger
12	IC018	Spring, Hammer
13	IC019	Hammer Spring Plunger
14	IC012	Trigger
15*	IC014	Sear Spring
16	IC159	Mag Catch
17	IC020	Safety
18*	IC151	Triggerhousing
19	IC300	Mag Catch Ret Plunger Assy
20	IC251	Mag Assy, 15 Rd
21	IC301	Handguard Assy, Hdwd
22*	UC210-1	Barrel Assy 18" Long (Complete, Not Shown)
23*	UC216-1	Barrel, 18", w/Cylinder
24*	UC037	Gas Piston
25	UC038	Piston Nut
26	IC042	Front Sight Key
27	IC041	Front Sight Pin
28	IC040	Front Sight
29	IC302	Barrel Band Assy
30	IC026	Operating Slide Stop
31	IC027	Spring
32*	UC220	Bolt Assy (Complete, Not Shown)
33*	IC030	Bolt
34	IC298	Ejector Assy
35	IC031	Extractor
36	IC032	Plunger, Extractor
37	IC033	Spring, Ext Plunger
38*	UC034	Firing Pin, w/Tang
39	IC270	Rear Sight Assy
40	IC028	Spring Guide, Operating Slide
41	IC029	Spring, Operating Slide
42	IC010	Retaining Pin, Triggerhousing
43	IC080	Front Band Locking Spring
44	IC150	Operating Slide
45*	IC001	Receiver

\* Denotes the part is repaired or replaced only by IJA factory personnel. A quotation will be furnished upon receipt and evaluation of your firearm if not listed.

# WARRANTY CARD

---

NAME

---

ADDRESS

---

CITY

STATE

ZIP

---

SERIAL NUMBER

TYPE (Pistol-Rifle)

---

DATE OF PURCHASE

**RETURN THIS WARRANTY INFORMATION TO FACTORY WITHIN 30 DAYS OF PURCHASE OTHERWISE WARRANTY IS VOID.**

## ONE YEAR GUARANTEE

Iver Johnsons Arms, Inc. fully guarantees for a period of one year from date of purchase, this firearm to be free from any defects in materials and workmanship when not misused.

Iver Johnsons Arms, Inc. will correct without charge any defects due to faulty material or workmanship during the term of this guarantee.

Prepay all shipping and insurance charges. Mark package clearly with your name and address as sender and ship to I.J.A. Attn: Customer Product Dept., 2202 Redmond Road, Jacksonville, AR. 72076. Make sure to enclose complete detail on repairs and service desired. All firearms returned must be unloaded with no cartridges in chamber. Special care should be used in packing to avoid damage in transit. Return shipping and insurance charges will be paid by I.J.A. on all warranty firearms.

**Exclusion from this guarantee are as follows: any modification, adjustments, repairs or shipping damage; physical abuse, defective or improperly loaded ammunition, corrosion and ordinary wear and tear. This guarantee is void if other than factory loaded cartridges are used.**

**This guarantee supersedes all previous guarantees issued by I.J.A.**



982-1633  
2202 REDMOND ROAD  
JACKSONVILLE, AR 72076

A DIVISION OF AMAC CORPORATION